

DLX & DLXB pH- Rx/ M

Integrated Instrumental dosing pump

DLX & DLXB pH-Rx/M models consist of a series of microcontroller dosing pumps with pH, RX (mV) control and regulation built-in instrument.

GENERAL FEATURES

- LCD display
- ON/OFF or proportional operating modes
- pH and RX inputs. Measuring ranges:
 - 0÷14pH;
 - -1000 ÷ +1400mV;
- Hysteresis
- Switching-on delay
- Manual (only) Temperature compensation 0÷100°C
- Level probe input
- Alarms setting
- Anti-acid plastic casing
- IP65 protection
- Up to 20 l/h and 20 bar
- Wall (DLX) and Foot mounted (DLXB):
- Standard pump head: PVDF body, PTFE diaphragm, ceramic balls, FPM seats*
- Manual air bleed pump head; from 5 to 15l/h automatic air bleed available on request
- Power Supply: 220-240V**
- Strokes frequency:
 - 120 strokes/min (from 1l/h to 15l/h)
 - 150 strokes/m (20 l/h)
- CE and CSA certified



**different configurations available upon request*



Stroke Length Adjustment

The Stroke Length Adjustment mechanism is available for DLXB foot mounting version only. It allows to regulate the plunger's stroke length from 20 to 100% by moving the knob accordingly. This way is possible to adjust the quantity of product delivered for each injection, performing a more accurate dosing



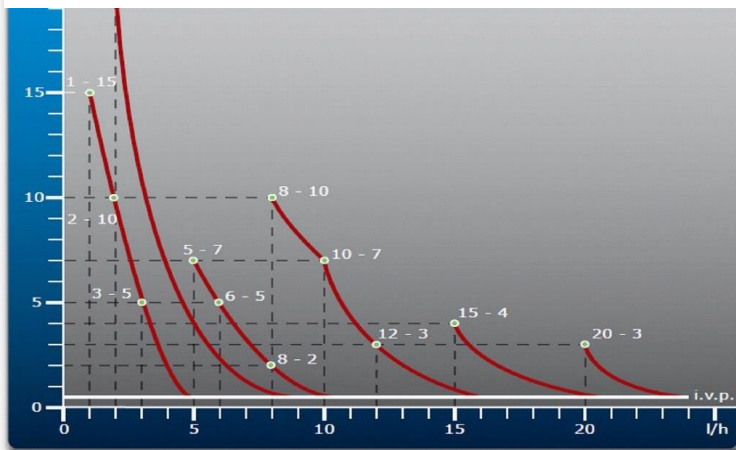
PVDF-FPM Standard Kit

ALL DLX are supplied with a standard **PVDF-FPM installation kit**, made up of 2m discharge PE tube (4x6mm), 2m bleeding PVC crystal tube (4x6mm), PVDF foot-filter, PVDF injection valve. Other configurations are available upon request.

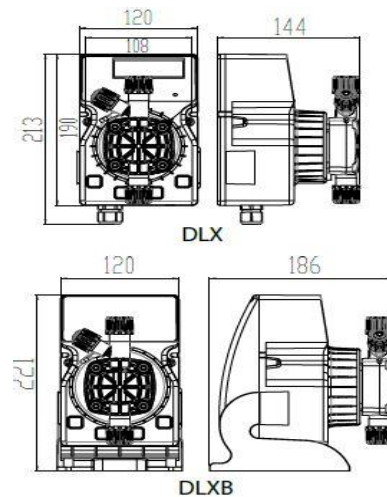
Technical Features

Version	Flow Rate l/h (US GI/h)	Max Pressure Bar - PSI	Max frequency (imp./min)	Injection Volume (cc per stroke)	Standard Power Supply (Volts -Hz)	Power consumption (Watts)	Net Weight (Kg)
0115	1 (0.26)	15	120	0,14	230V - 50-60 Hz	37	2.3
	2 (0.53)	10		0,28			
	3 (0.78)	5		0,42			
0202	2 (0.53)	20	120	0,28	230V - 50-60 Hz	58	2.9
0507	5	7	120	0,69	230V - 50-60 Hz	37	2.3
	6	5		0,83			
	8	2		1,11			
0810	8	10	120	1,11	230V - 50-60 Hz	58	2.9
	10	7		1,39			
	12	3		1,67			
1504	15	4	120	2,08	230V - 50-60 Hz	58	2.9
2003	20	3	150	2,60	230V - 50-60 Hz	58	2.9

Pressure (bar) – Flow Rate (l/h) Chart



Overall Dimensions



CODE	DESCRIPTION
PLX362225E	DLX pH-Rx-/MBB 1 - 15
PLX3603201	DLX pH-Rx-/MBB 2 - 20
PLX360385E	DLX pH-Rx-/MBB 5 - 7
PLX362285E	DLX pH-Rx-/MBB 8 - 10
PLX362315E	DLX pH-Rx-/MBB 15 - 4
PLX3622001	DLX pH-Rx-/MBB 20 - 3

CODE	DESCRIPTION
PBX362225E	DLXB pH-Rx-/MBB 1 - 15
PBX3603201	DLXB pH-Rx-/MBB 2 - 20
PBX360385E	DLXB pH-Rx-/MBB 5 - 7
PBX362285E	DLXB pH-Rx-/MBB 8 - 10
PBX362315E	DLXB pH-Rx-/MBB 15 - 4
PBX3622001	DLXB pH-Rx-/MBB 20 - 3